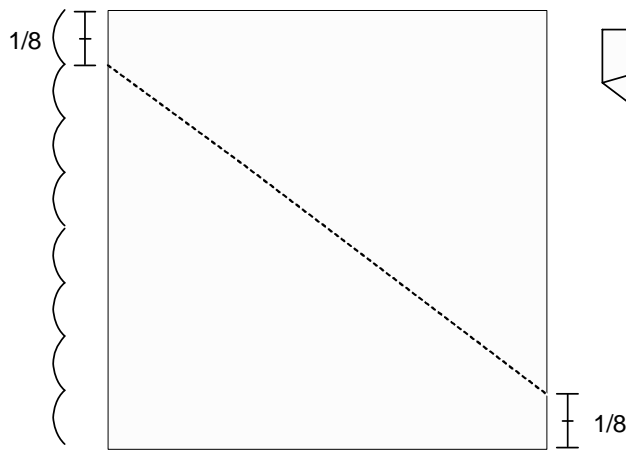
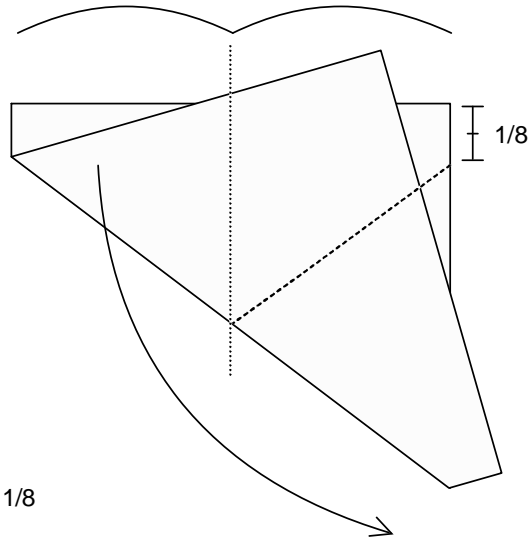


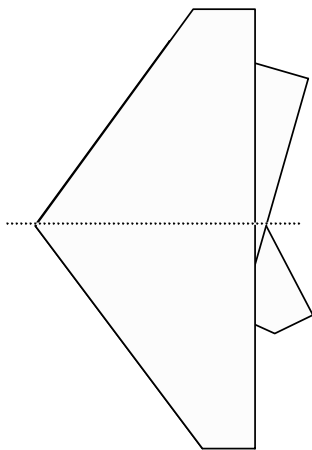
# Origami Two Fold Angelfish



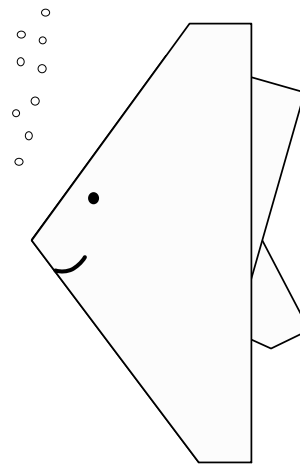
1. Please note, the extra symbols are for those who prefer having landmarks. Feel free to estimate.



2. Please note, see previous note.



3. The dotted line is to help show how things line up.



4. Complete the model with a smiley-face.

